



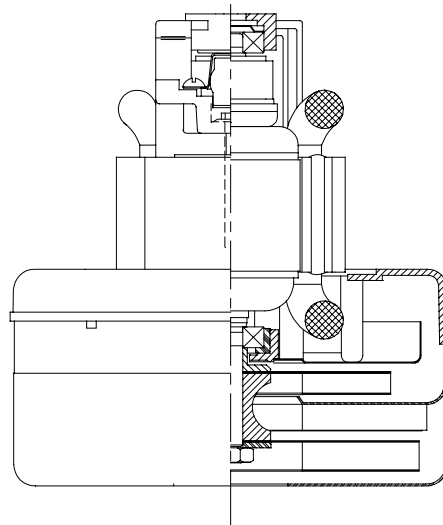
Model: 116344-00
116344-11*

DESCRIPTION

- Two stage
- 220 volts
- 5.7"/145 mm diameter
- Double ball bearings
- Single speed
- Thru-flow discharge
- Aluminum fan end bracket
- Aluminum commutator bracket

DESIGN APPLICATION

- Equipment operating in environments not requiring separation of working air from motor ventilating air
- Designed to handle clean, dry, filtered air only



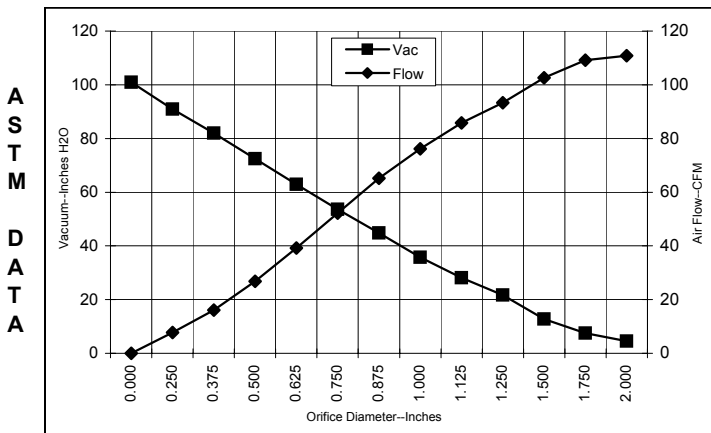
SPECIAL FEATURES

- Suitable for 220 volt AC operation, 50/60 Hz
- UL recognized, category PRGY2 (E47185)
- Provision for grounding
- Skeleton-frame design
- The Lamb Electric vacuum motor line offers a wide range of performance levels to meet design needs

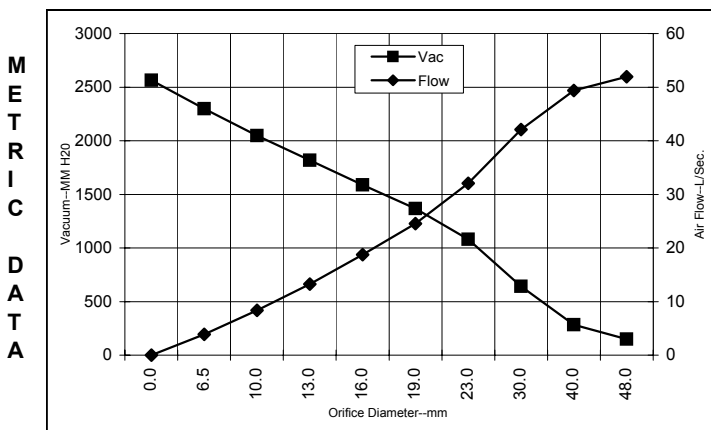
***Model 116344-11 features interrupter brushes**

TYPICAL MOTOR PERFORMANCE.*

(At 220 volts, 60Hz, test data is corrected to standard conditions of 29.92 Hg, 68° F.)



Orifice (Inches)	Amps	Watts (In)	RPM	Vac (In.H ₂ O)	Flow (CFM)	Air Watts
2.000	4.7	1039	21018	4.5	110.8	59
1.750	4.7	1036	21033	7.5	109.1	97
1.500	4.7	1034	21044	12.7	102.6	153
1.250	4.7	1036	21044	21.7	93.3	239
1.125	4.7	1034	21079	28.1	85.8	283
1.000	4.6	1026	21159	35.7	76.2	320
0.875	4.5	1011	21332	44.8	65.2	343
0.750	4.4	974	21795	53.6	52.2	329
0.625	4.1	923	22558	62.9	39.2	290
0.500	3.8	855	23520	72.5	26.8	228
0.375	3.5	786	24597	82.0	16.1	155
0.250	3.2	722	24963	90.9	7.8	83
0.000	3.0	671	25885	100.9	0.0	0



Orifice (mm)	Amps	Watts (In)	RPM	Vac (mm H ₂ O)	Flow (L/Sec)	Air Watts
48.0	4.7	1038	21025	148	51.9	76
40.0	4.7	1035	21041	283	49.3	136
30.0	4.7	1035	21063	641	42.1	263
23.0	4.6	1015	21289	1080	32.1	337
19.0	4.4	973	21810	1366	24.5	328
16.0	4.1	925	22527	1588	18.7	292
13.0	3.9	862	23424	1817	13.2	234
10.0	3.5	796	24435	2047	8.4	166
6.5	3.2	725	24945	2298	3.9	87
0.0	3.0	671	25885	2563	0.0	0

Note: Metric performance data is calculated from the ASTM data above.

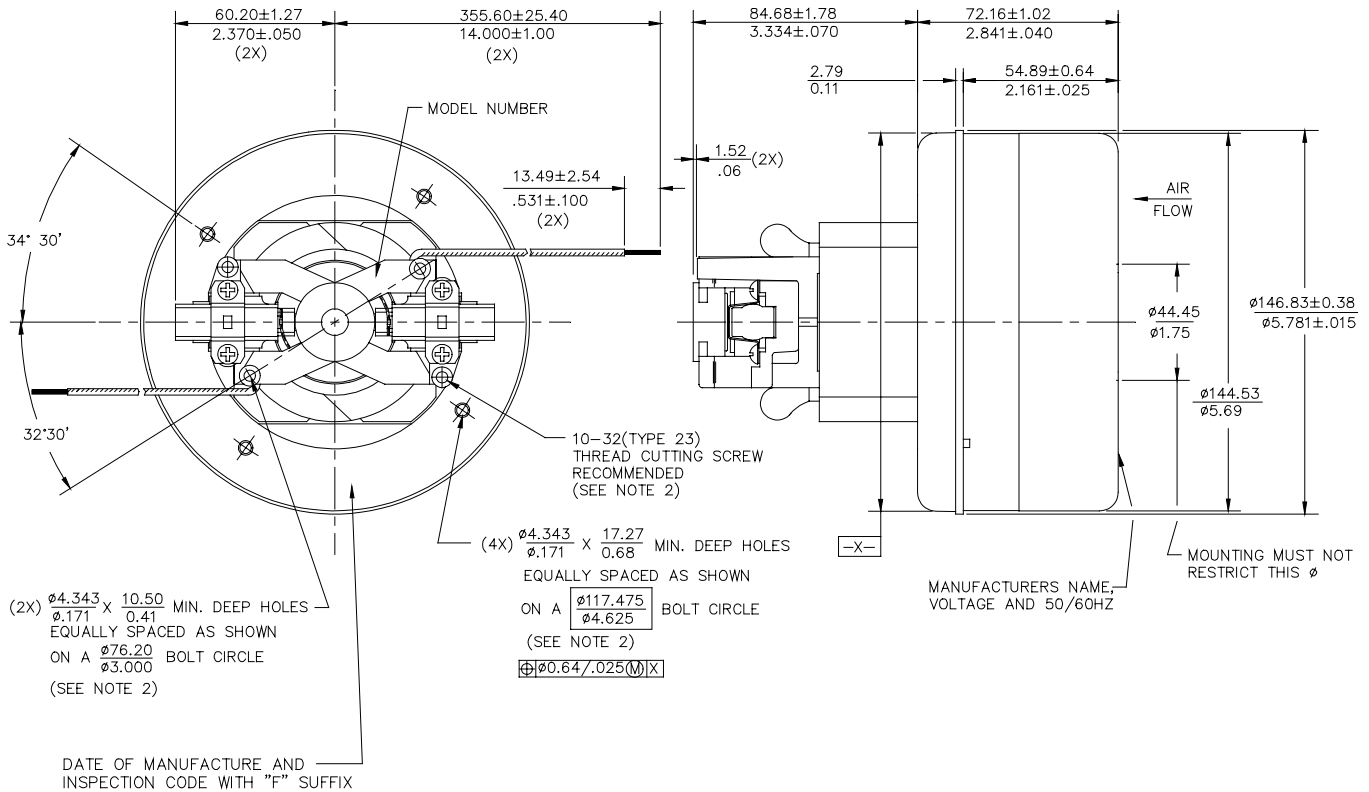
* Data represents performance of a typical motor sampled from a large production quantity. Individual motor data may vary due to normal manufacturing variations.

Test Specs:	220 volts	Minimum Sealed Vacuum:	83.0"	ORIFICE:	13 mm	Minimum Vacuum:	61.0"	Maximum Watts:	860
-------------	-----------	------------------------	-------	----------	-------	-----------------	-------	----------------	-----

DIMENSIONS

NOTES:

1. LEADS 18 GA. STRANDED. LEADS CAN BE ANY COLOR EXCEPT GREEN OR GREEN WITH YELLOW STRIPE.
2. GROUNDING OR EARTHING PROVISIONS: USE HOLES AS INDICATED FOR GROUNDING OR EARTHING. REFER TO APPROPRIATE LISTING OR REGULATORY AGENCY FOR PROPER METHOD OF GROUNDING OR EARTHING.



IMPORTANT NOTE: Pictorial and dimensional data are subject to change without notice. Contact factory for current revision levels.

WARNING - AMETEK Lamb Electric thru-flow vacuum motors must never be used in applications in which wet or moist conditions are involved, where dry chemicals or other volatile materials are present, or where airflow may be restricted or blocked. Such motors are designed to permit the vacuumed air to pass over the electrical winding to cool it. Thus any foam, liquid (including water), dry chemical, or other foreign substance coming in contact with electrical conductors could cause combustion (depending on volatility) or electrical shock. Failure to observe these precautions could result in property damage and severe personal injury, including death in extreme cases. All applications incorporating Lamb Electric motors should be submitted to Underwriters Laboratories Inc. or other appropriate organizations or agencies for testing specifically related to the safety of your equipment.

AMETEK/Lamb Electric Division
 627 Lake Street
 Kent, Ohio 44240
 U.S.A.
 Tel: (330) 673-3451
 Fax: (330) 673-8994

Ametek GmbH
 P. O. Box 1251
 D-71667 Marbach
 Germany
 Phone: + 49-714-484-9512
 Fax: + 49-714-484-9513

AMETEK/Singapore Private Limited
 10 Ang Mo Kio Street 65
 # 05-12 Techpoint
 Singapore 2056
 Tel: + 65-484-2388
 Fax: + 65-481-6588